

QL Bilge Blowers



In-Line bilge blowers

QL In-Line blowers provide ventilation for bilges, engine compartments, galleys and heads. Designed for efficient, high output-operation, these blowers features front and rear shaft seals and corrosion resistant motor housings for long life. Compact and easily installed on any flat surface, QL In-Line blowers provide higher air flow, lower amp draw and quieter operation than standard blowers.

The QL In-Line blower is designed for easy installation. It may be positioned anywhere along the length of ducting leading to the area being ventilated. The blower may be secured to any solid, flat mounting surface and oriented in any direction. **NB.** For maximum motor protection, it is best to mount the blower where it will not be exposed to moisture from spray or deck wash and slightly inclined so any moisture will drain back to the lower end of the duct run.

Features:

- Complies with ISO 9097 Marine
- N.M.M.A. type accepted
- Meets USCG 183.410 and ISO 8846 Marine (ignition protection)
- Computer optimized design produce high volume air flow.
- Designed for easy installation.
- Mounts in any position to any flat surface.
- Grip tab duct connections prevent clamp slide-off.
- Sealed motor shafts for moisture protection.
- Low current draw.
- Corrosion resistant materials throughout.

Flange mount

QL blowers are primarily intended for intermittent duty cycles such as discharging fuel vapors from bilge areas. If desired, they also may be used for other general air circulation, applications with longer duty cycles. However, when doing so, it should be noted that the maximum motor life is approximately 1000 hours. Therefore, the blower should only be used for applications if this length of service is acceptable.

Mount the blower on a flat bulkhead surface in the highest part of the compartment free from spray or deck wash. If the blower is mounted in a location where spray could get into a discharge port, the blower motor should be mounted vertically. The blower may be rotated in the mounting bracket to facilitate the shortest route of ducting.

NB. Blower should be mounted away from extreme heat (more than 55°C / 130°F) to prevent distortion of blower wheel or housing.

Features:

- Complies with ISO 9097 Marine
- N.M.M.A. type accepted
- Meets USCG 183.410 and ISO 8846 Marine (ignition protection)
- Tough reinforced plastic housing.
- Efficient high volume airflow.
- Mounts to any flat surface.
- Slip-On inlet ducting connection.
- Low current draw.
- Corrosion resistant materials throughout.

Flex mount

The Flex mount series features standard models as well as continuous duty models. The standard model's maximum motor life is approximately 1000 hours while the continuous duty model is designed for 10000 hours.

The standard QL flex mount blowers are primarily intended for intermittent duty cycles such as discharging fuel vapors from bilge areas. If desired, they also may be used for other general air circulation or applications with longer duty cycles. However, when doing so, the continuous duty models should be considered. The blowers should only be used for applications if this length of service is acceptable."

If possible, mount the blower on a flat bulkhead surface in the highest part of the compartment free from spray or deck wash.

NB. Blower should be mounted away from extreme heat (more than 55°C / 130°F) to prevent distortion of blower wheel or housing.

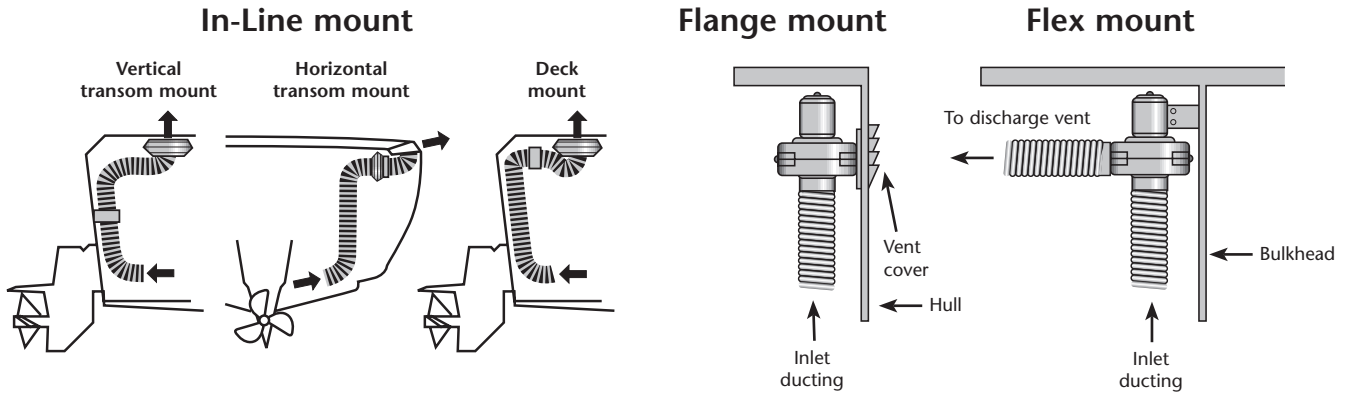
Features:

- Complies with ISO 9097 Marine
- N.M.M.A. type accepted
- Meets USCG 183.410 and ISO 8846 Marine (ignition protection)
- Tough reinforced plastic housing.
- Universal flexmount bracket permits outlet to face any direction.
- Efficient high volume airflow.
- Mounts to any flat surface.
- Slip-On inlet ducting connection.
- Low current draw.
- Corrosion resistant materials throughout.



Marine Accessories
By Volvo Penta

QL Bilge Blowers



Facts:

Model	P / N	Duct	Air flow	Volt	Amp draw	Fuse size
In-Line bilge blowers						
ILB135	41103900	3"	3.8 m ³ / min. (135 CFM)	12	2.9 A	4 A
ILB235	41103901	4"	6.6 m ³ / min. (235 CFM)	12	4.3 A	7 A
Flange mount						
FLB105	41103902	3"	2.9 m ³ / min. (105 CFM)	12	4.4 A	6 A
Flex mount						
FXB150	41103904	3"	4.2 m ³ / min. (150 CFM)	12	6.8 A	10 A
FXB250	41103905	4"	7.0 m ³ / min. (250 CFM)	12	12.0 A	15 A
FXB250HD*	41103906	4"	7.0 m ³ / min. (250 CFM)	12	11.0 A	15 A
FXB250HD*	41103907	4"	7.0 m ³ / min. (250 CFM)	24	6.0 A	10 A

* Continuous duty

Accessories:

Description Notes	P / N	Description Notes	P / N
Flange Kit 3" (76 mm)	828798	Rocker switch plate, White	3862898
Hose 3" (76 mm)	9518554	Rocker switch plate, Black	3862899
Hose 4" (102 mm)	41103909	Rocker switch plate, Woodgrain	3862900
Rocker switch 12A	41102133		

NB. Recommended airflow per net compartment volume. One or more blowers may be used to provide the required capacity.

Net compartment volume, Cubic feet	Air flow, Cubic feet/min	Net compartment volume, m ³	Air flow, m ³ /min
60	100	1,70	2,83
100	150	2,83	4,25
200	200	5,65	5,65
400	300	11,30	8,50
600	400	17,00	11,30



Marine Accessories
By Volvo Penta

QL – Quality Line – a series of marine accessories supported by the Volvo Penta dealer network and selected independent dealers worldwide.

www.qlmarine.com