

QL CT900



QL Compact Bow Thruster CT900

The most compact bow thrusters available are the QL Compact series. Due to the innovative design they offer outstanding performance in a very compact envelope. They feature a direct belt driven transmission between motor and drive, which further reduces noise level. The Compact-series are ideal for boats where space is limited.

Maximum performance

CT900 is designed to improve performance using maximum possible power for the lowest possible electricity consumption. The direct driven belt transmission ensures a smooth and reliable operation. By far the smallest thruster in its range.

Low maintenance

The CT900 bow thruster is very user friendly also when it comes to maintenance. The stainless steel housing design eliminates the use of zinc anodes. Furthermore the CT900 has less moving parts and no oil in the underwater unit.

Easy & Space saving installation

The CT900 has a unique design for an easy drop-in installation. The control unit is separated from the thruster unit giving a more flexible and space saving installation. The control unit is designed to be bulkhead mounted away from the thruster unit to minimize heat, moisture and vibration disturbance.

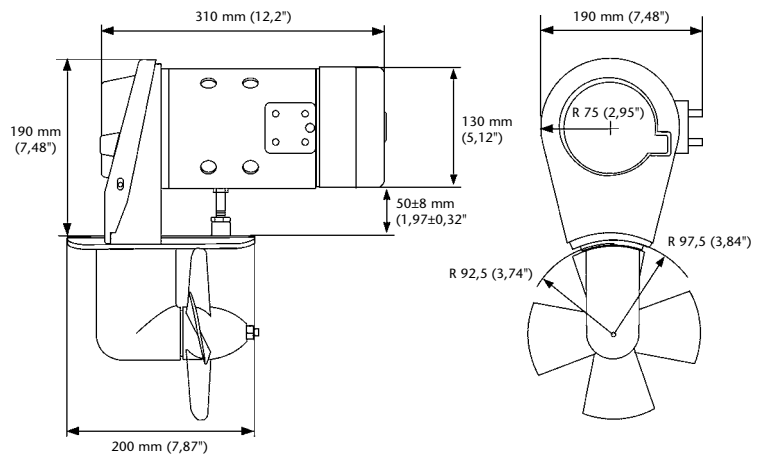
Features:

- Easy and quick "drop-in" installation.
- Compact measurements.
- Few moving parts, less maintenance.
- No oil in under water unit.
- No anodes required.
- Direct belt driven.
- Low noise, vibration and cavitation levels.
- Built in safety features.
- Bulkhead mounted relay and control box.
- Choice of joystick, touch control or rocker switch.



Marine Accessories
By Volvo Penta

QL CT900



Facts:

| Model | P / N | Volt | Thrust | Motor output | Measurement | Gear housing | Max. boat length |
|------------------------|----------|------|-------------------------|--------------|--------------------|-----------------|------------------|
| QL Bow thruster | | | | | | | |
| CT900 | 41100836 | 12 | 834 N / 85 kg / 187 lbs | 4 kW | Ø 185 mm | Stainless steel | 50 ft / 15 m |
| Control Unit | 41100812 | 12 | | | 240 x 180 x 103 mm | | |
| CT900 | 41100837 | 24 | 883 N / 90 kg / 198 lbs | 4 kW | Ø 185 mm | Stainless steel | 50 ft / 15 m |
| Control Unit | 41100813 | 24 | | | 240 x 180 x 103 mm | | |

Accessories:

| Description Notes | P / N | Description Notes | P / N |
|----------------------------------|----------|----------------------------|----------|
| Tunnel Ø 185 mm, length 1000 mm | 41100806 | Rocker switch, single 12 V | 41100745 |
| length 1500 mm | 41100807 | single 24 V | 41100746 |
| length 2500 mm | 41100808 | double*) 12 V | 41100747 |
| Joystick control, single 12/24 V | 41100743 | double*) 24 V | 41100748 |
| double*) 12/24 V | 41100744 | Touch panel 12/24 V | 41100765 |
| Fuses 12 V 400A Holder included | 41100821 | | |
| 24 V 300A Holder included | 41100817 | | |

*) For bow and stern thrusters



Marine Accessories
By Volvo Penta

QL – Quality Line – a series of marine accessories supported by the Volvo Penta dealer network and selected independent dealers worldwide.

www.qlmarine.com