



Product Newsletter

The New Twin Forward Drive

The new FWD for twin installations is now introduced within Product Year 2024. The new Twin FWD offers the same benefits of today's single Volvo Penta FWD: superior maneuverability, powerful performance, fast acceleration, time to plane and overall onboard comfort on lakes or oceans.

Now, by allowing twin applications, Volvo Penta is expanding the range of boats that can take advantage of this driveline to boats beyond 29 ft.

Issued by

Anna Ramirez

Date

2023 June, 05

Reg. No

570.1 Issue No. 1

Bigger adventures ahead

Volvo Penta continues to innovate, offering the best experience on the water. Now with bigger gasoline-powered boats even more choices are available to boat owners allowing them to do more with their vessels than ever before: anything from wakesurfing to cruising or fishing or beaching – these drivelines can deliver.

Excellence in engineering

The twin installation specific driveline involved advance technological innovations which included drive design and software changes among others. All this was done at the highest standards of quality and performance that represent the Volvo Penta brand.

The complete package

The new Twin FWD drive is available only with V8-350 hp, V8-400 hp and V8-430 hp engines and requires electronic steering and Joystick Docking.

Other features available to take full advantage of this product offering include Joystick Driving and Dynamic Positioning System (DPS). It can also be optioned with Coastal Series Corrosion Protection Package, for saltwater applications, which includes the Titanium Ceramic Coated drives (TCC) and a seven year coverage for ultimate corrosion protection. Coastal Series is only available in the US and Canada.



Twin FWD notation (-F)

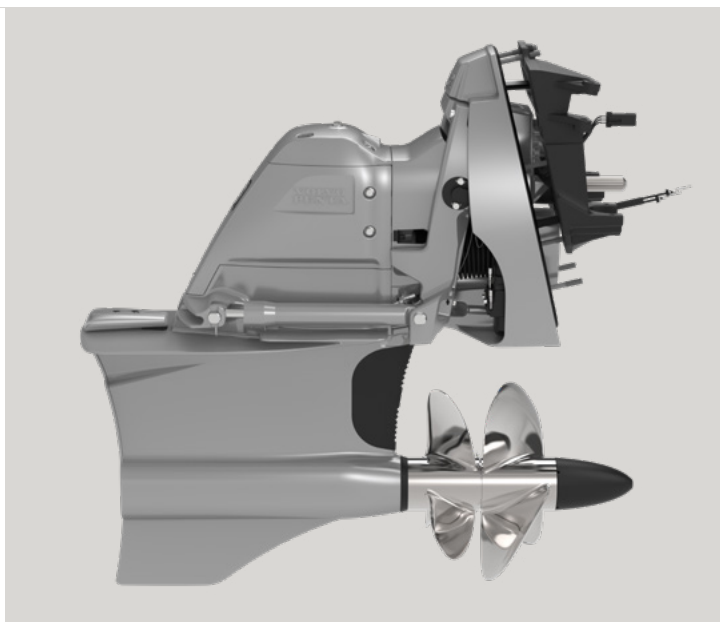
The new Twin FWD specifications have the “-F” notation in the specification name which will be used for twin applications only.

Single FWD notation (-D)

Continue to order single FWD using the “-D” notation in the specification name.

More versatility

If needed, an optional 1” spacer will be available to push the drive deeper into the water. This option will be available in January 2024 already installed by the factory on the drive to order together with the engine packages.



Start of ordering

Start of ordering for the new Twin FWD 2023 week 33

Start of delivery

2023 week 37

Start of production

2023 week 36

New items introduced

Twin FWD-F specifications are available for electrical steering only.

Standard Twin FWD Sales Specifications

24189589	FWD-F	2.32	SPP-BAS, Spray Plate Basic
24189590	FWD-F	2.14	SPP-BAS, Spray Plate Basic
24189591	FWD-F	1.95	SPP-BAS, Spray Plate Basic
24576878	FWD-F2	2.14	SPP-BAS, Spray Plate Basic*
24576879	FWD-F2	2.32	SPP-BAS, Spray Plate Basic*
24576881	FWD-F2	1.95	SPP-BAS, Spray Plate Basic*

Titanium Ceramic Coated (TCC) FWD Sales Specifications

TCC drive is available globally.

24189594	FWD-F TCC	2.32	SPP-BAS, Spray Plate Basic
24189595	FWD-F TCC	2.14	SPP-BAS, Spray Plate Basic
24189596	FWD-F TCC	1.95	SPP-BAS, Spray Plate Basic
24576882	FWD-F2 TCC	2.14	SPP-BAS, Spray Plate Basic*
24576883	FWD-F2 TCC	2.32	SPP-BAS, Spray Plate Basic*
24576884	FWD-F2 TCC	1.95	SPP-BAS, Spray Plate Basic*

*- F2 specifications come with 1" spacer installed from the factory and will be available to order in January 2024